

# **INTERFLEX**

**INTERNATIONAL**

## Factory Parts Catalog

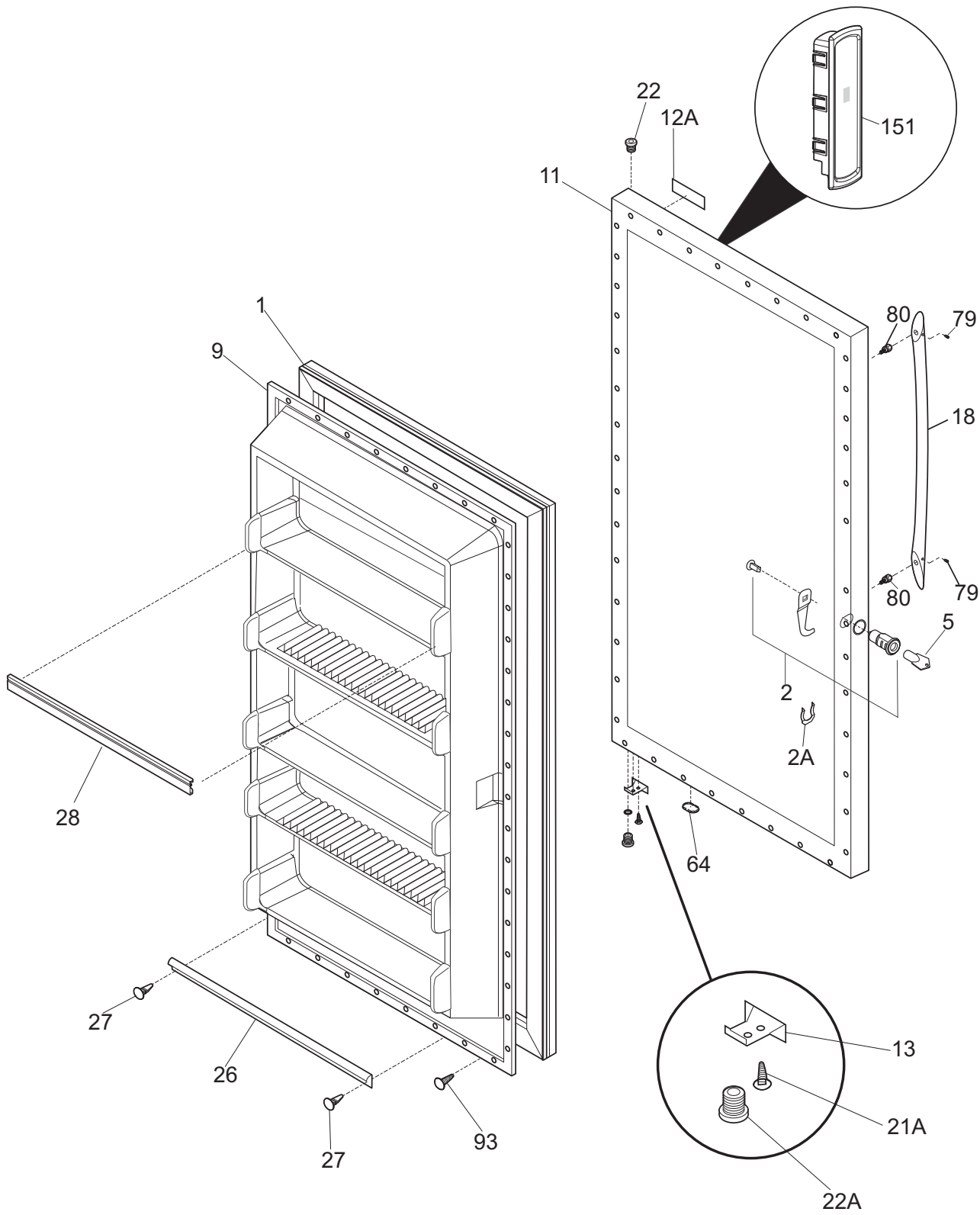
Product No.	MUFF17V6HW5
Series	EZ-set
Color	white
Volts	230V
Wiring Diagram	297267600
Owner's Guide	216417700
Market	International

### **UPRIGHT FREEZER**

Model No.  
MUFF17V6HW

Publication No.  
**5995599270**  
11/08/26  
(EN/SERVICE/MJW)  
365

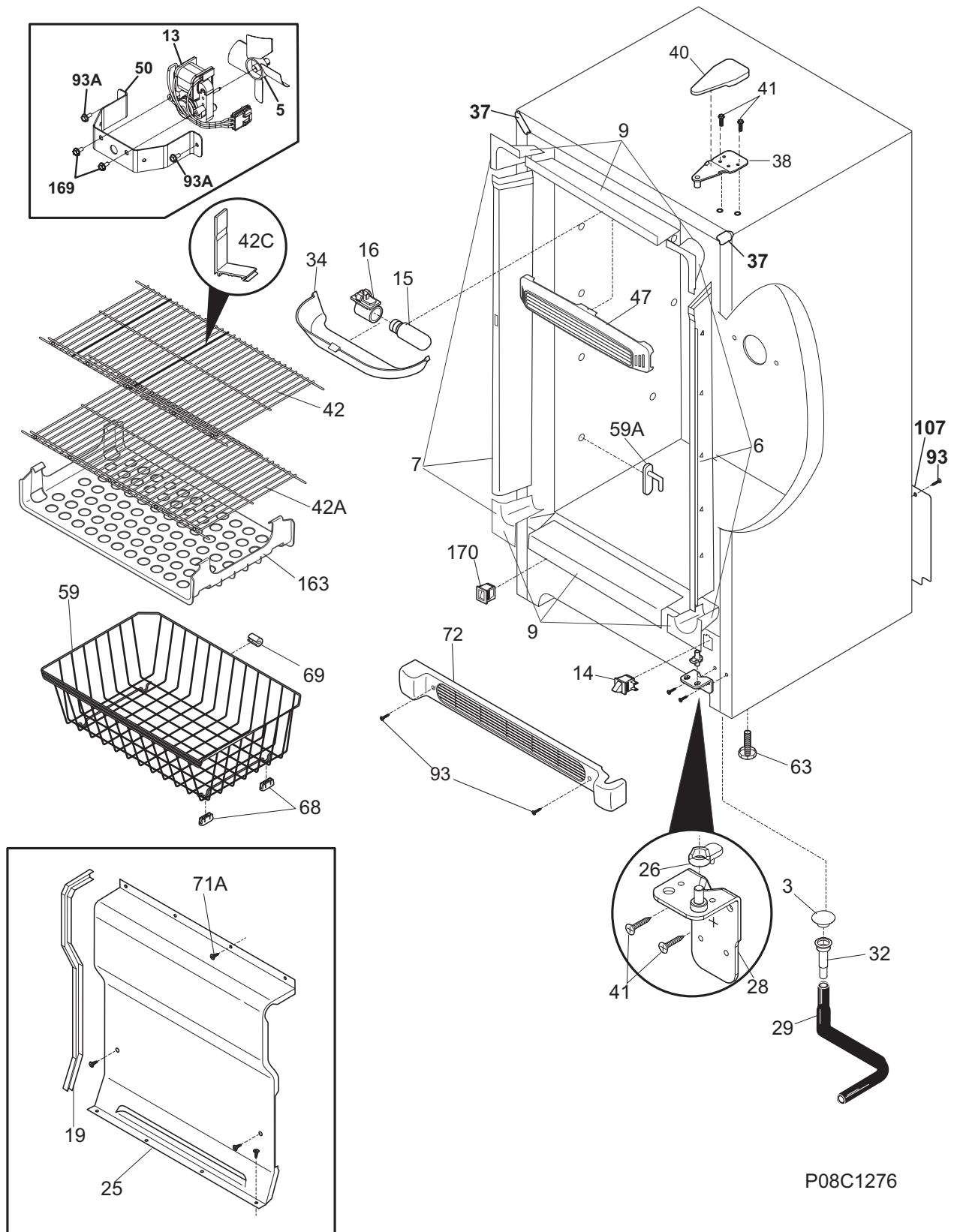
DOOR



P08D0608

---

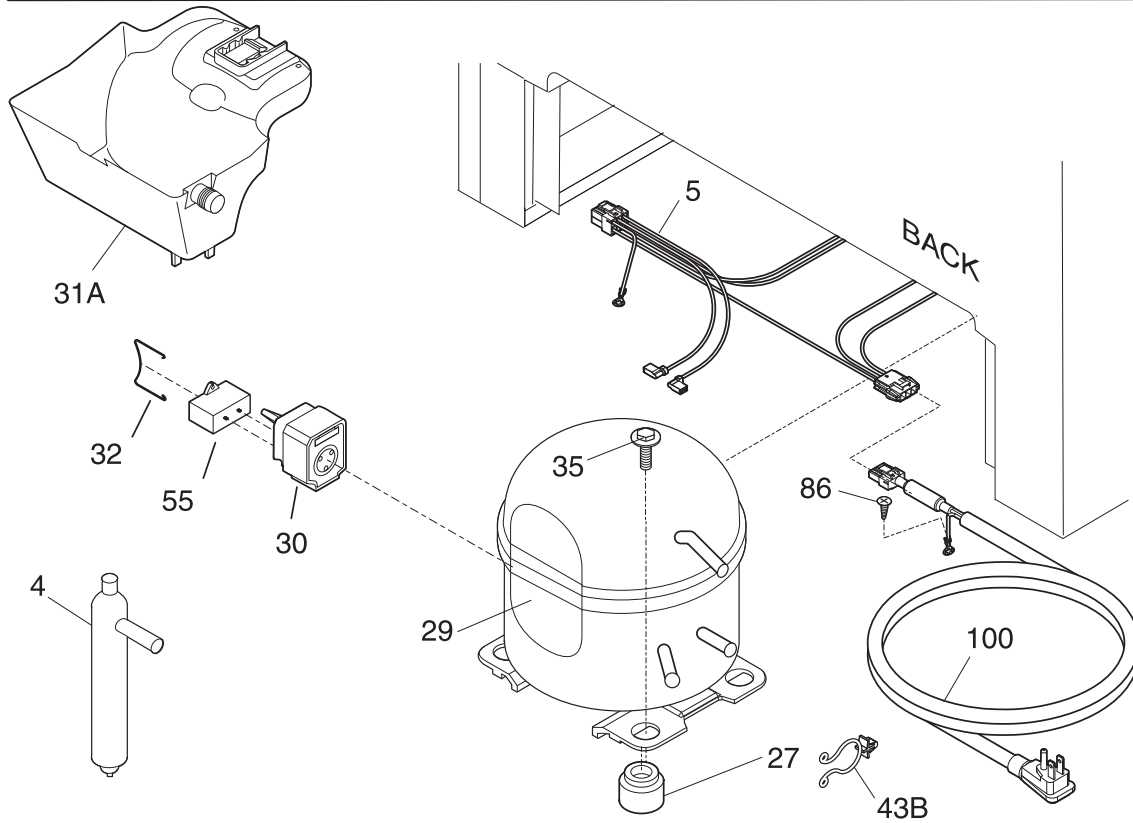
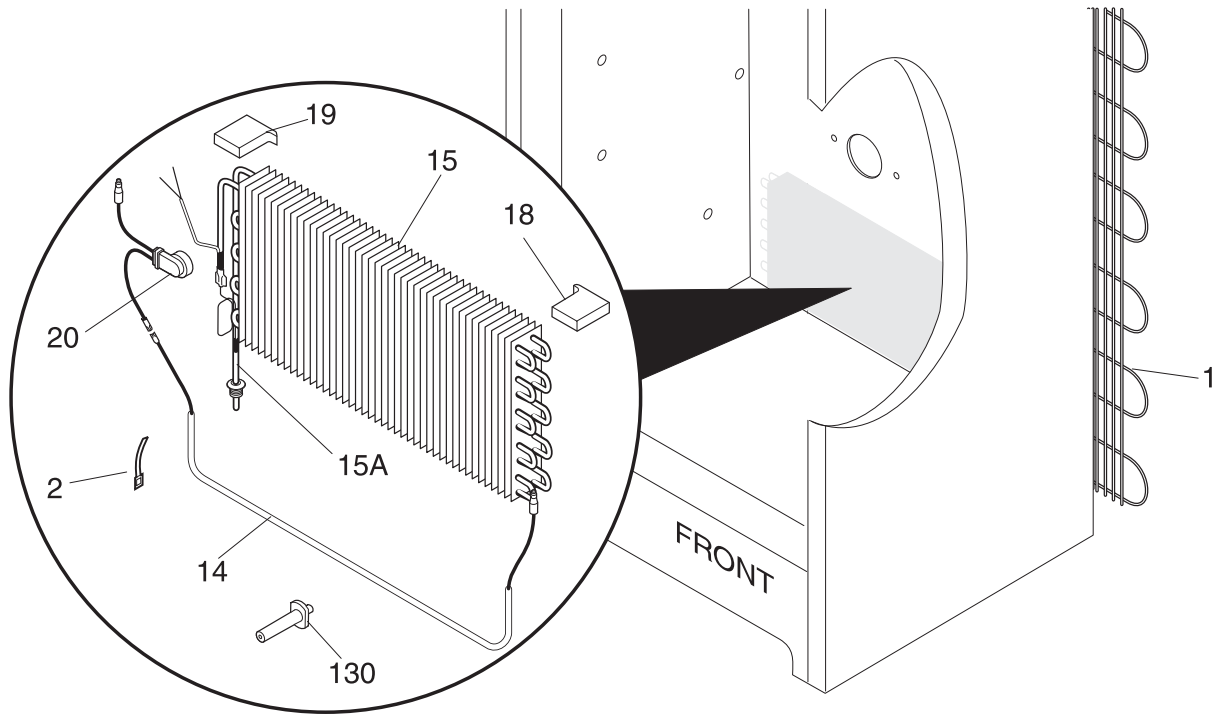
POS. NO	PART NO.	DESCRIPTION
1	216522359	Gasket-door, white
2	297318600	Lock Assy
2A	297213300	Clip, spring
5	297147700	Key, lock
9	216527816	Panel-inner door, frzr
11	297352701	Panel-outer door, white
12A	137095500	Anchor, nameplate
13	297257000	Door Stop, chrome, RH
18	297233820	Handle-door, white, w/set screws
*	240537301	Nut-anchor, door hdl screw
21A	297197500	Screw, door stop mtg, FH38-16X.750, P Twin
22	216970800	Bearing, hinge w/o'ring, top
22A	297006800	Bearing-hinge, btm, w/o'ring
26	216524201	Gasket, secondary
27	5304472186	Clip, panel mtg
27*	5304406520	Clip, panel mtg kit, (40)
28	216951600	Rack-door, (5)
64	216403700	Plug-button, hole filler, door base
79	218755402	Screw-set, 10-32 x 0.375
80	218755504	Screw-shoulder, #10 AB, handle mounting
93	216858001	Screw, 8-18x.50 AB, #10
151#	297366104	Control, EZ Set 115V
*	297281600	Instructions, elect guide, EZ-set



P08C1276

POS. NO	PART NO.	DESCRIPTION
3	216503100	Screen-drain
5 #	216325600	Fan Blade
6	297200600	Breaker Kit w/corners, no lock slot
7	297200800	Breaker Kit w/corners, incl lock catch
9	297200100	Breaker Kit w/corners, 32", top and bottom
13 #	297250010	Motor-fan, 230V
14	216822900	Switch, light/lamp, ramp
15	216867800	Light Bulb/Lamp, 230-250V
16	216817600	Socket, light/lamp, 25 W
*	216876300	Collar, light socket
19	216204902	Gasket-evap cover
25	297099251	Cover-evaporator
26	216503300	Ramp, door closer
28	297283900	Hinge-bottom, stepped pin
29	216313503	Hose-drain
32	5308005500	Drain
34	297184400	Shield-light
*	297265801	Wire, light shield
37	297273900	Trim-cabinet corner, white, (2)
38	297283800	Hinge-upper
40	297164400	Cover-hinge
41	297236200	Screw, tamper proof, 1/4-20 x 5/8
42	216458400	Shelf, 14.50x27.88, (3)
42A	297119501	Shelf, 12.50x27.88, white
*	216502400	Grommet-shelf mtg
42C	297183702	Divider, blue, wire shelf
47	297192902	Baffle, air, blue
50	216394050	Bracket, fan motor mount
59	297344000	Basket, bottom
59A	216486500	Stop-basket, (2)
63	216396900	Screw, leveling foot, plastic, adjustable
63*	297164650	Bracket, LH leg levelor
63*	297164651	Bracket, RH leg levelor
68	08009560	Glide-basket
69	5305878546	Bumper-basket
71A	297146820	Screw, 8-18AB x.470 QX
72	297198900	Grille/Kickplate, 32", white
93	5304460605	Screw, ph truss head, 8-18AB x 0.500
93A	297174300	Screw, self pierce, #8, 18x.63
*	216327800	Clip, wire
107	297194801	Panel, access
163	297185302	Shelf, pizza
169	216912401	Screw, hex washer head, 8-32 x 0.500, bracket fan mtr, (2)
170	297280400	Valve, breather
*	5303305324	Paint, touch-up, white
*	297267600	Wiring Diagram
*	297001704	Insulation, 24", drain tube

**SYSTEM**



R08S0482

---

POS. NO	PART NO.	DESCRIPTION
1 #	5300083897	Condenser
2	5308000110	Strap-evap/heater, aluminum, (2)
4	216987501	Dryer-filter
5 #	297237602	Harness-main
14 #	216730701	Heater-defrost
15 #	216997300	Evaporator
15A	297217900	Heat Exchanger, suct/cap tube
18	297078701	Insulator-evap, styrofoam, RH
19	297078801	Insulator-evap, styrofoam, LH
20	297216600	Thermostat, defrost
27	5308002681	Grommet, compressor
29	297002801	Compressor, kit, w/grommets, & welded clip
30	216954207	Controller, compressor
31A	216994100	Pan-drain
32	297359700	Clip, controller
35	297368500	Bolt, compressor
43B	297315800	Clip, wire
55	216985004	Capacitor, run, 5MF
86	216036601	Screw, RWHD, 8-32A x 0.500, GX-CA
100#	297075901	Cord-power, 220V
130	297244700	Support, evaporator mtg
*	297018400	Thermistor
*	216502500	Sleeve, suction line
*	297014702	Plug-suction line
*	297174300	Screw, self pierce, #8, 18x.63
*	240555002	Screw-#8-32 X 3/8